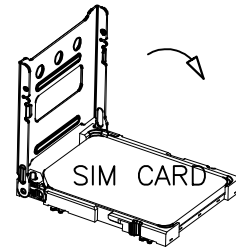
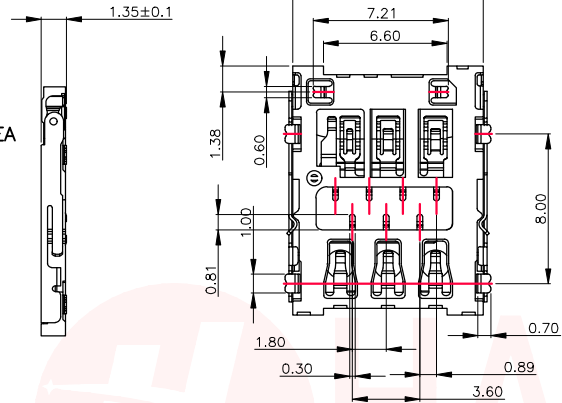
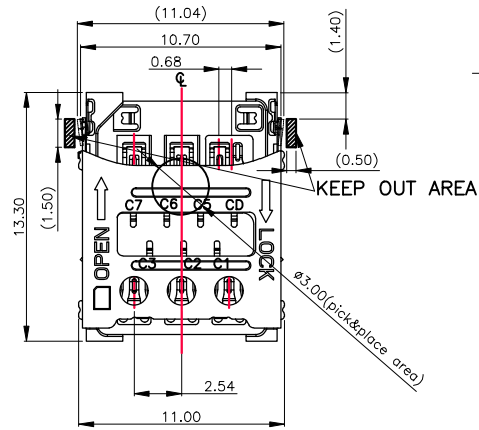
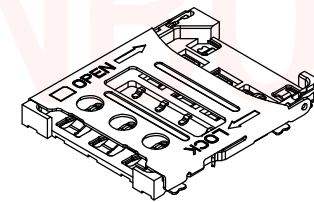
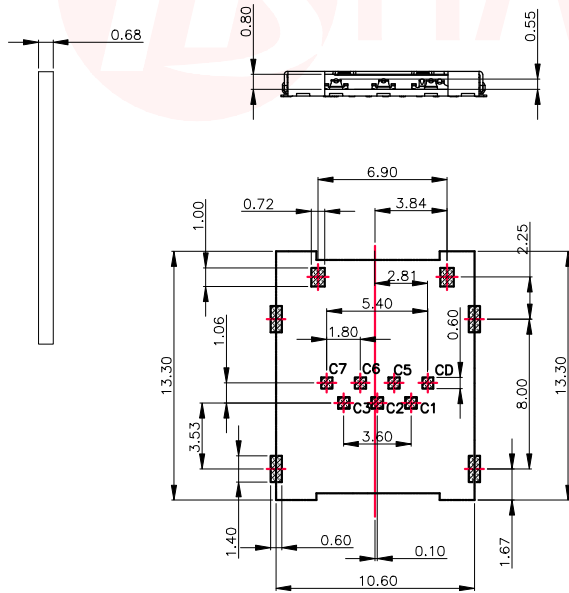
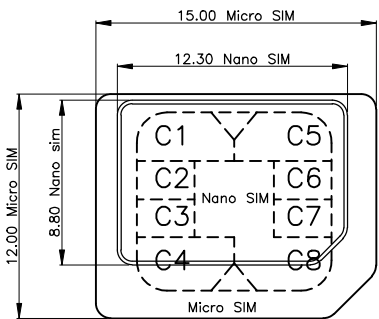




REV.	ECN NO OR DESCRIPTION	REVISED	DATE



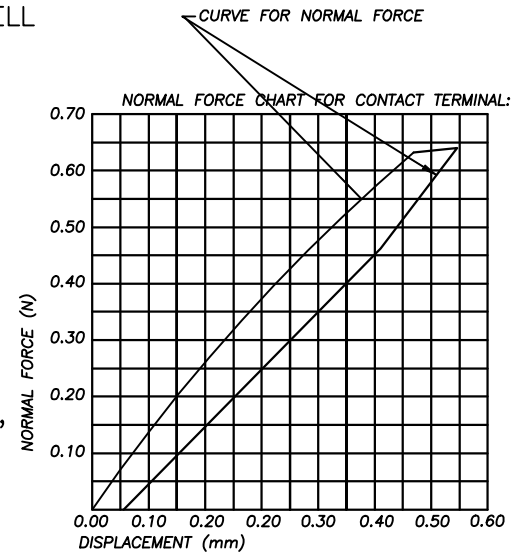
1. PLACE SIM CARD,
THEN HINGE THE SHELL



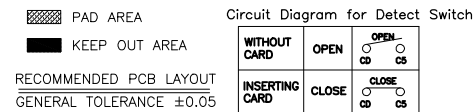
2. SLIDE THE SHELL,
CARD LOCKED

NOTES:

- MATERIAL:SEE TABLE
- SPECIALITY:
 - RATED CURRENT: 0.5A MAX
 - RATED VOLTAGE: 30V AC
 - CONTACT RESISTANCE:100MOHM MAX
 - INSULATION RESISTANCE:1000MOHM MIN 500V DC
 - DIELECTRIC WITHSTANDING VOLTAGE: 500V AC/MINUTE.
 - SOLDER ABILITY:250±5 10±0.5S.
 - DURABILITY:5000 CYCLES
 - MATING AND UNMATING FORCE
INSERTION FORCE 10N MAX
WITHDRAWAL FORE 0.5N MIN



NANO SIM CARD	
Pin No.	NAME
C1	VCC OF SIM
C2	RST OF SIM
C3	CLK OF SIM
C5	GND OF SIM
C6	VPP OF SIM
C7	I/O OF SIM
C4/C8	N/A
CD	DETECTION SWITCH



③	TERMINAL	6	C5210-EH,T=0.12	Au 3u" PLATING
②	BASE INSULATOR	1	LCP+GF30%	BLACK
①	SHELL	1	SUS304-H,T=0.15	AU/Ni PLATING
NO.	PART NAME	Q'TY	DESCRIPTION	NOTE
UNLESS OTHERWISE SPECIFIED TOLERANCES		东莞市汉博电子科技有限公司 DONGGUAN HANBO TECHNOLOGY CO., LTD		
DECIMALS:		TITLE		
X	:±0.35	6+1P 1.35H HINGE NANO SIM CARD CONN.		
X.X	:±0.25	DWN	xiong	PART NO. SNO-1300
X.XX	:±0.15	CHKD	lee	SCALE:1:1 UNIT: mm
		APVD	wang	SIZE: A4 SHEET:10F 1
		REV: A4		
CUSTOMER COPY				