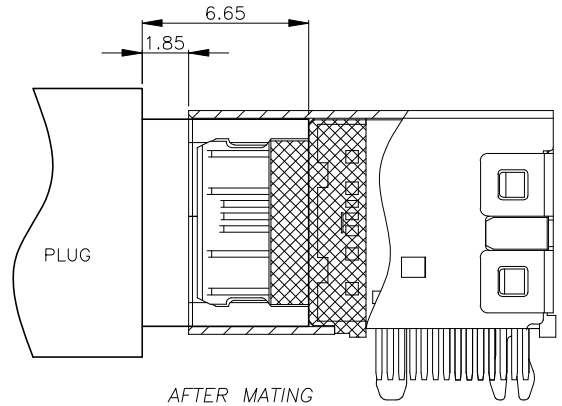
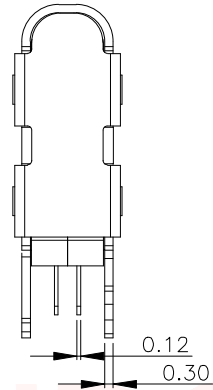
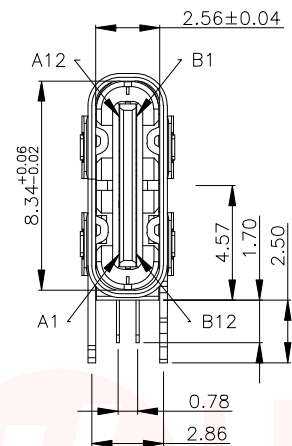
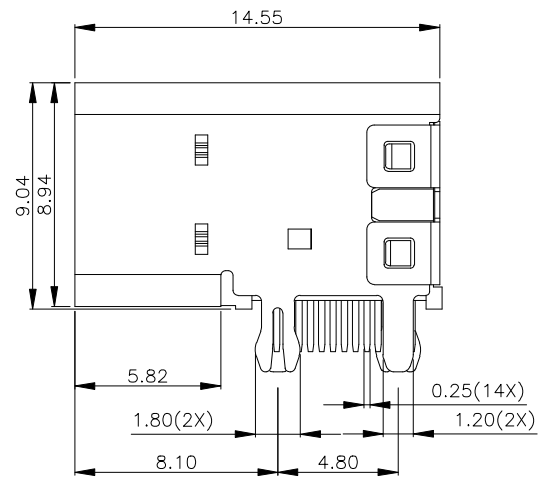




REV.	ECN NO OR DESCRIPTION	REVISED	DATE

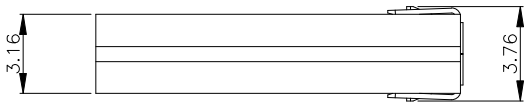
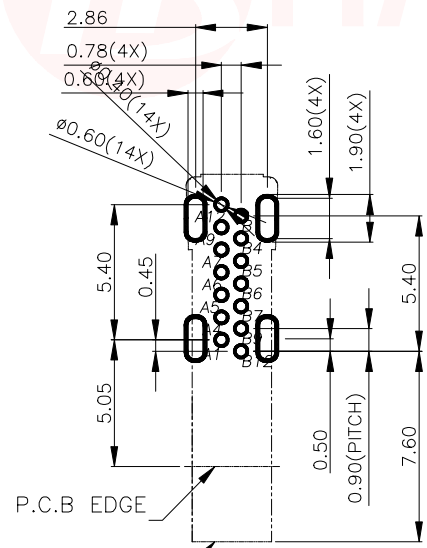
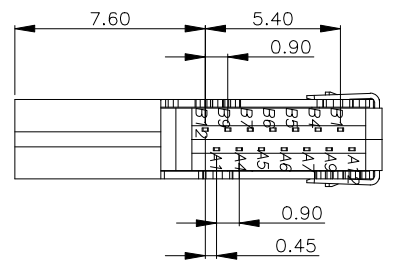


NOTE:

- MATERIAL SPECIFICATION:
 - HOUSING:LCP,UL94 V-0.
 - TERMINAL: COPPER ALLOY(C1814)
 - MID PLATE: STAINLESS STEEL(SUS301)
 - FRONT SHELL: STAINLESS STEEL(SUS304)
 - COVER: STAINLESS STEEL(SUS304)
- PLATING SPECIFICATION:
 - TERMINAL:
 - Ni 50u" MIN. UNDER PLATED OVER ALL.
 - Au PLATED ON THE FUNCTIONAL AREA OF CONTACT. (GOLD PLATING THICKNESS FOLLOW THE P/N)
 - PLATING SPECIFICATIONS OF THE SOLDER AREA FOLLOW THE P/N
 - FRONT SHELL:
 - Ni 30u" MIN. UNDER PLATED OVER ALL.
 - MID PLATE&COVER:
 - CLEAR ONLY
- MECHANICAL PERFORMANCE,
 - INSERTION FORCE: 0.5~2.0kgf.
 - REMOVAL FORCE: 0.8kgf~2.0kgf.
 - DURABILITY: 10000 CYCLES.
- ELECTRICAL PERFORMANCE,
 - VOLTAGE RATING:5 V DC/AC (RMS. max)
CURRENT RATING:5 AMPS. FOR TOTAL VBUS/GND PINS;
1.25AMPS FOR CC PIN,0.25 AMPS. FOR ALL OTHER CONTACT.
 - LLCR:
 - VBUS & GND PINS AND OTHER PINS: 40ma/PIN MAX.
 - SHIELD: 50ma/MAX.
 - LLCR MAX. CHANGE OF ALL PINS: 10ma.
 - INSULATION RESISTANCE: 100MΩ MIN
 - DIELECTRIC WITHSTAND VOLTAGE,AC 100V FOR 1 MINUTE.
- ENVIRONMENTAL PERFORMANCE:
 - OPERATING TEMPERATURE: -25°C~+85°C.
- IR REFLOW:
 - THE PEAK TEMPERATURE ON THE BOARD SHALL BE MAINTAINED FOR 10 SECONDS AT 260°C.

USB TYPE-C PIN ASSIGNMENTS

PIN NUMBER	SIGNAL NAME	PIN NUMBER	SIGNAL NAME
A1	GND	B12	GND
A4	VBUS	B9	VBUS
A5	CC1		
A6	Dp1	B7	Dn2
A7	Dn1	B6	Dp2
		B5	CC2
A9	VBUS	B4	VBUS
A12	GND	B1	GND



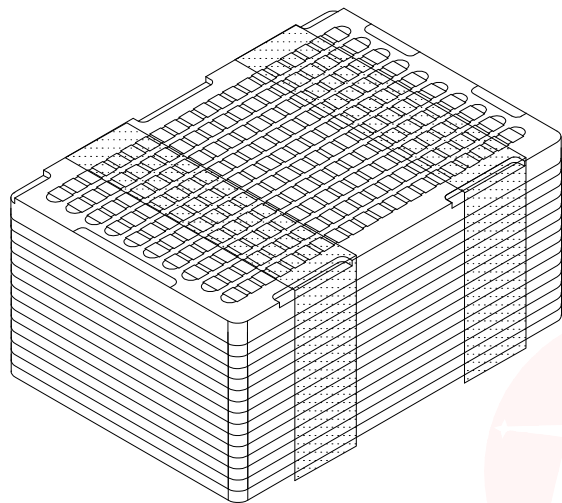
CONNECTOR EDGE

RECOMMENDED PCB LAYOUT(TOP VIEW)
THICKNESS 1.6±0.10MM;DEFAULT TOLERANCE:±0.05

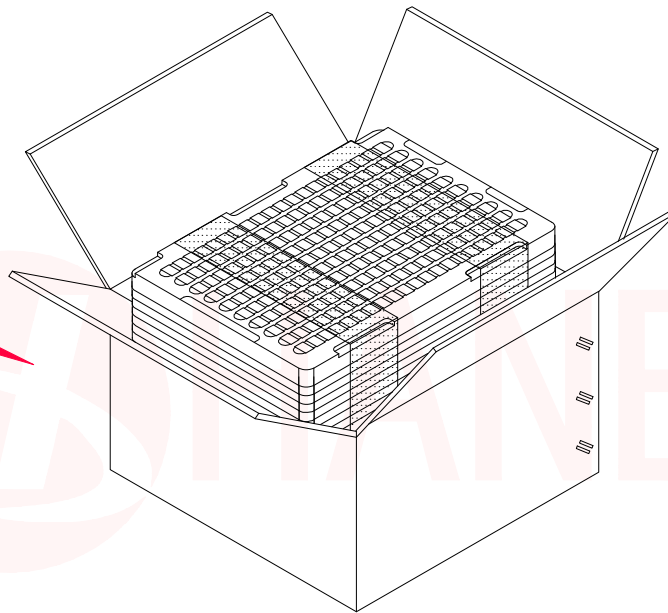
UNLESS OTHERWISE SPECIFIED TOLERANCES		东莞市汉博电子科技有限公司 DONGGUAN HANBO TECHNOLOGY CO., LTD			
DECIMALS:	ANGLES:	TITLE	USB CF 14PIN插插 FLAG TYPE		
X ±0.35	X ±2°	DWN	xiong	PART NO. MC-710	
X.X ±0.25	X.X ±1°	CHKD	lee	SCALE:1:1	UNIT: mm
X.XX ±0.15		APVD	wang	SIZE: A4	SHEET:1OF 1
		REV: A4			
CUSTOMER COPY					



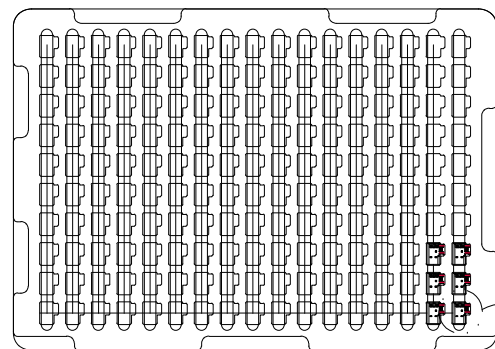
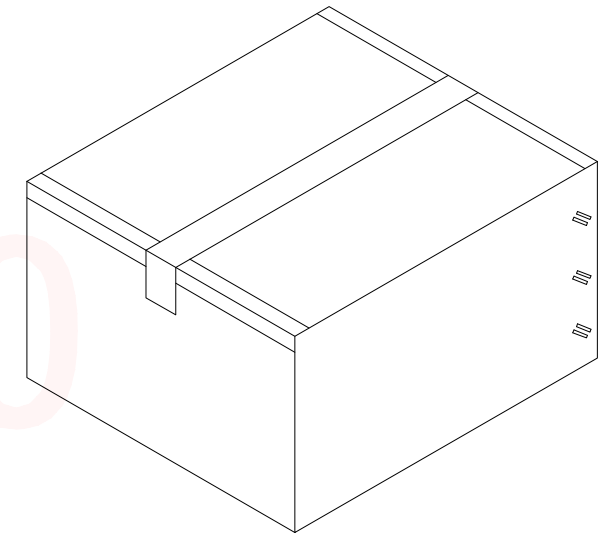
REV.	ECN NO OR DESCRIPTION	REVISED	DATE



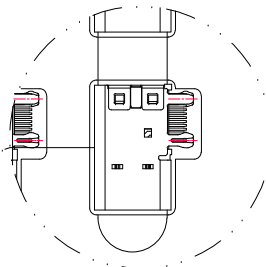
EACH BUNDLE WITH 40 LAYERS



EACH CARTON WITH 6800 PCS PRODUCTS



170PCS/TRAY



		TRAY	CARTON	
CONNECTOR (PCS)		170	6800	
UNLESS OTHERWISE SPECIFIED TOLERANCES		东莞市汉博电子科技有限公司 DONGGUAN HANBO TECHNOLOGY CO., LTD		
DECIMALS:	ANGLES:	TITLE	USB CF 14PIN侧插 FLAG TYPE	
X :±0.35	X :±2°	DWN	xiong	PART NO. MC-710
X.X :±0.25	X.X :±1°	CHKD	lee	SCALE:1:1 UNIT: mm
X.XX :±0.15		APVD	wang	SIZE: A4 SHEET:10F 1 REV: A4
CUSTOMER COPY				