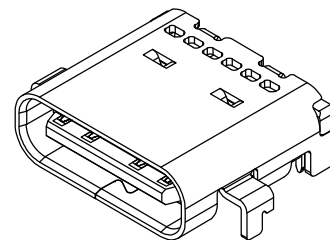
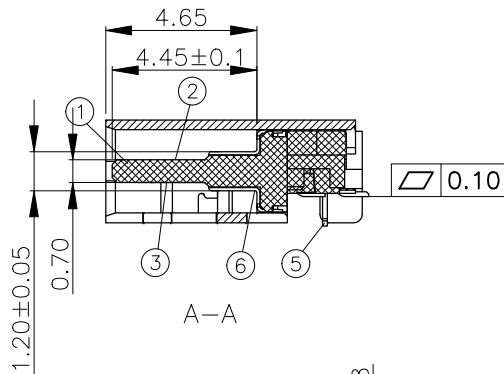
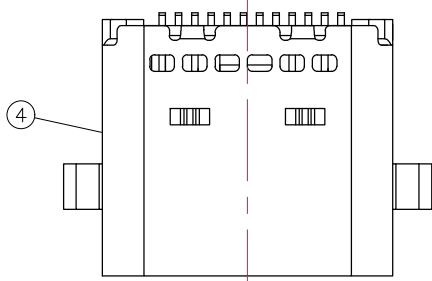


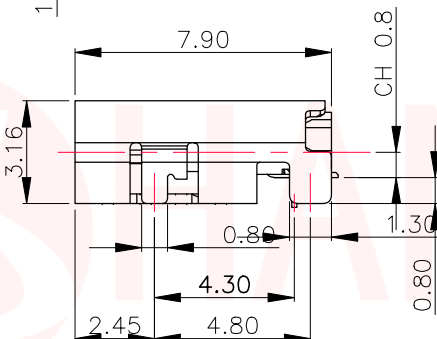
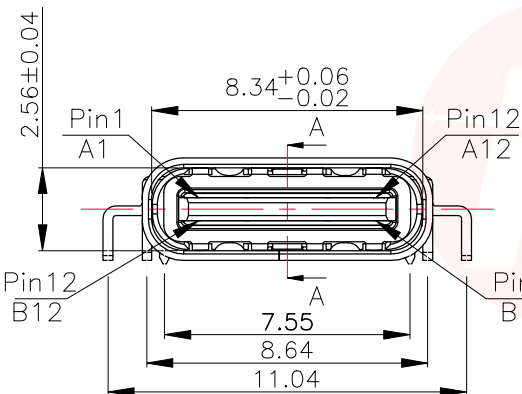


REV.	ECN NO OR DESCRIPTION	REVISED	DATE



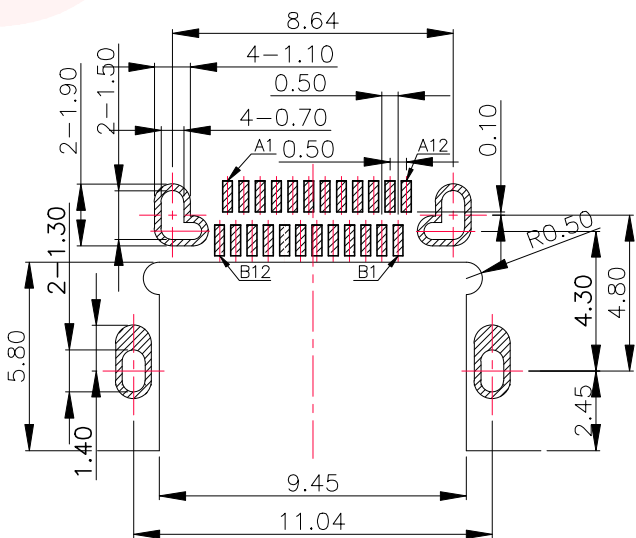
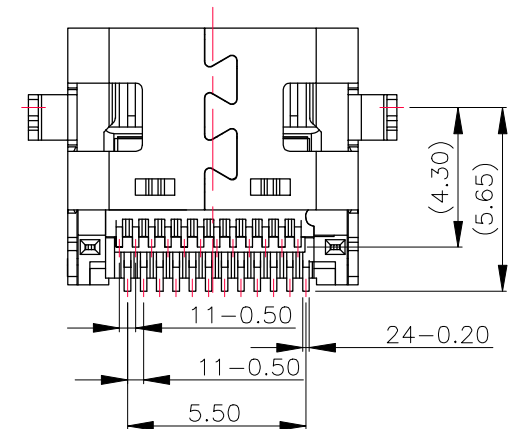
NOTES:

- MECHANICAL PERFORMANCE,
 - 1-1.INSERTION FORCE: 5N~20N.
 - 1-2.REMOVAL FORCE: 5N~20N.
 - 1-3.DURABILITY: 10000 CYCLES.
- ELECTRICAL PERFORMANCE,
 - 2-1. CURRENT RATING: 5.0A
VOLTAGE RATING: 5.0V
 - 2-2. LLCR: VBUS & GND PINS AND OTHER PINS: 40mΩ/PIN MAX.SHIELD: 50mΩ/MAX.
 - 2-3.INSULATION RESISTANCE: 100MΩ MIN
 - 2-4.DIELECTRIC WITHSTAND VOLTAGE,AC 100V FOR 1 MINUTE.
- ENVIRONMENTAL PERFORMANCE:
OPERATING TEMPERATURE: -25°C~+85°C.



PIN ASSIGNMENTS:

PIN No.	A1	A2	A3	A4	A5	A6	A7	A8	A9	A10	A11	A12
SIGNAL NAME	GND	TX1+TX1-	Vbus	CC1	D+	D-	SBU1	Vbus	RX2-RX2+	GND		
PIN No.	B12	B11	B10	B9	B8	B7	B6	B5	B4	B3	B2	B1
SIGNAL NAME	GND	RX1+RX1-	Vbus	SUB2	D-	D+	CC2	Vbus	TX2-TX2+	GND		



RECOMMENDED P.C.B. LAYOUT
TOLERANCE UNSPECIFIED ±0.05mm

NO.	PART NAME	QTY.	MATERIAL	REMARK
⑥	EMI PLATE	1 PCS	STAINLESS STEEL T=0.10	
⑤	MID PLATE	1 PCS	STAINLESS STEEL T=0.15	Soldering Plating: Sn
④	SHELL	1 PCS	STAINLESS STEEL T=0.3	Ni
③	TERMINAL 2(12Pin)	1SET	COPPER ALLOY T=0.15	Under Plating: Ni Contact Plating: Au
②	TERMINAL 1(12Pin)	1SET	COPPER ALLOY T=0.15	Soldering Plating: Au
①	HOUSING	1 PCS	HIGH TEMP.THERMOPLASTIC UL94V-0	BLACK

UNLESS OTHERWISE SPECIFIED TOLERANCES		东莞市汉博电子科技有限公司 DONGGUAN HANBO TECHNOLOGY CO., LTD			
DECIMALS:	ANGLES:	TITLE	USB TYPE C 24PIN 双排沉版CH0.8 SMT母座 L=7.9 (EMI拉伸款)		
X. : ±0.20	X°. : ±2°	DWN	xiong	MC-210	
X.X : ±0.15	X.X°. : ±1°	CHKD	lee	SCALE:1:1	UNIT: mm
X.XX : ±0.10		APVD	wang	SIZE: A4	SHEET:1 OF 1
		REV: A4			
CUSTOMER COPY					