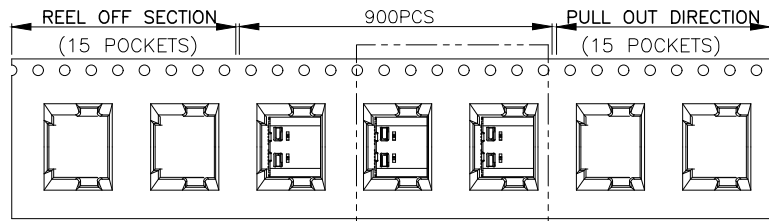
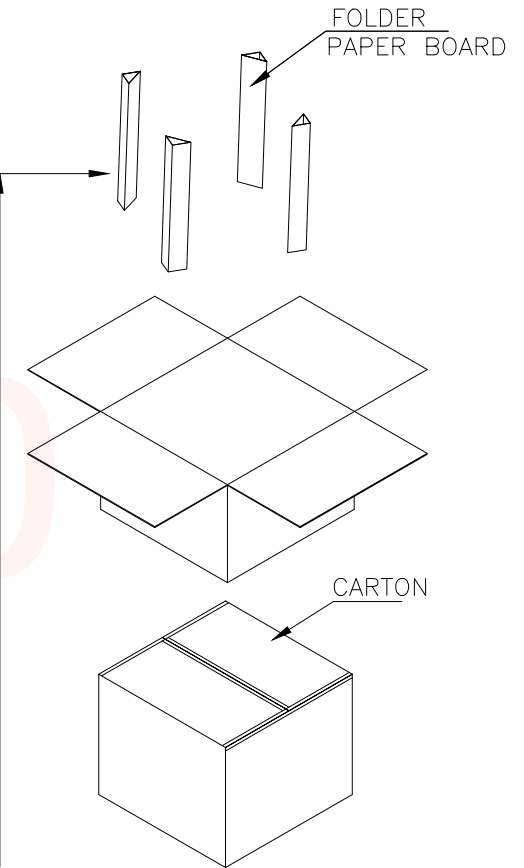
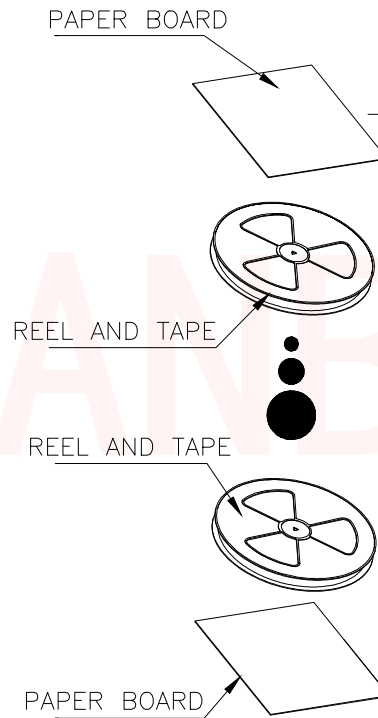
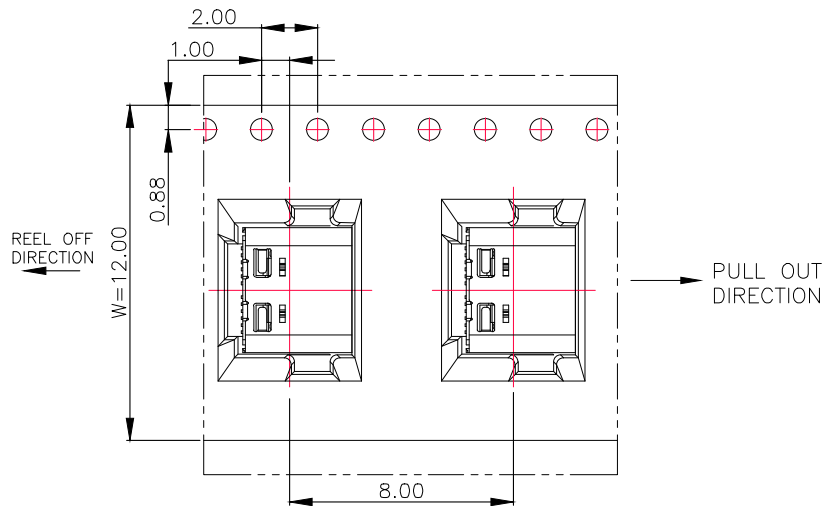
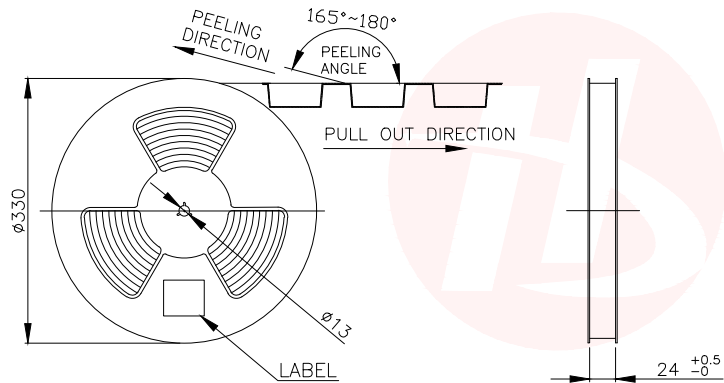




REV.	ECN NO OR DESCRIPTION	REVISED	DATE



SEE DETAIL X



UNLESS OTHERWISE SPECIFIED TOLERANCES

DECIMALS:	ANGLES:
X : ±0.35	X : ±2°
X.X : ±0.25	X.X : ±1'
X.XX : ±0.15	



东莞市汉博电子科技有限公司
DONGGUAN HANBO TECHNOLOGY CO., LTD

TITLE	TYPE C 每座双排贴片 24PIN 四脚DIP L=7.9mm 莫仕款		
DWN	xiong	PART NO. MC-222D	
CHKD	lee	SCALE: 1:1	UNIT: mm
APVD	wang	SIZE: A4	SHEET: 10F 1

CUSTOMER COPY