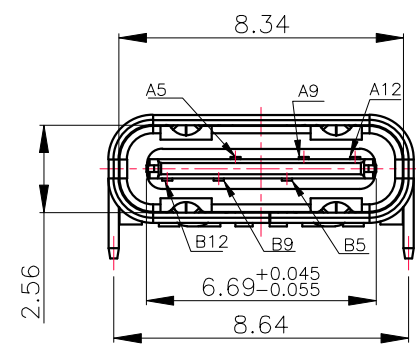
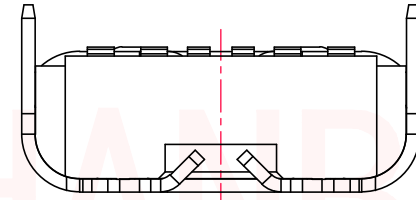
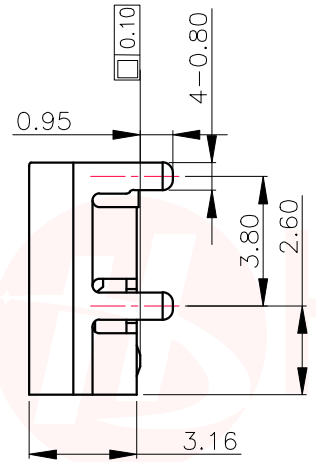
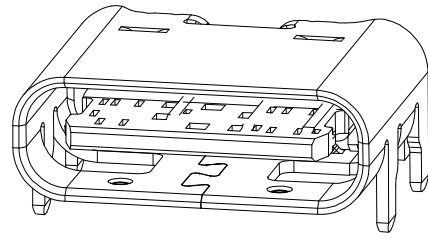
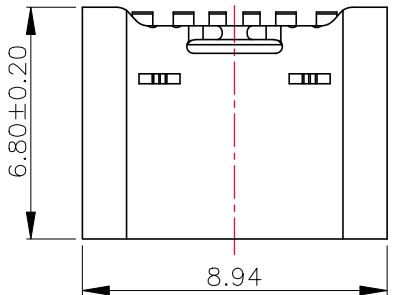




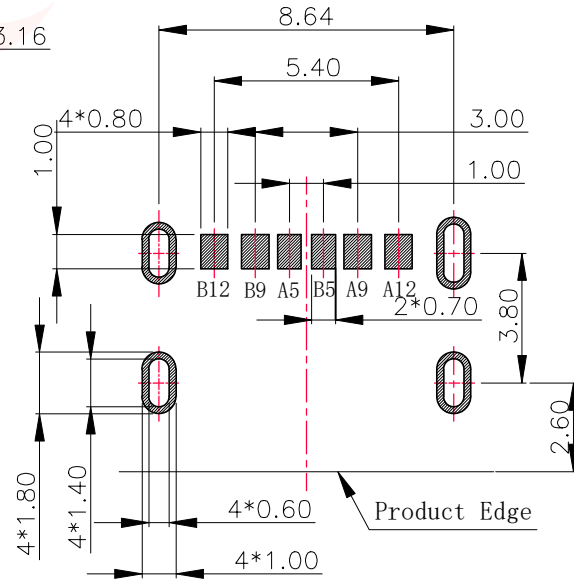
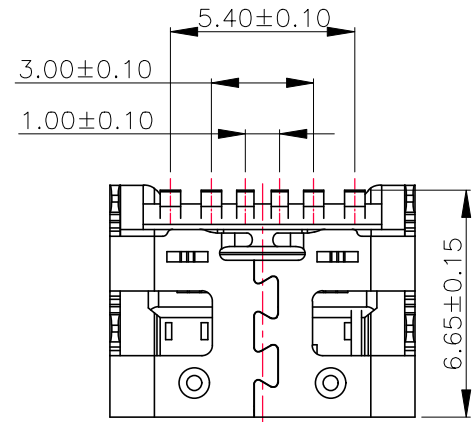
REV.	ECN NO OR DESCRIPTION	REVISED	DATE

SPECIFICATION:

1. Material & Finish: See the list;
2. Mechanical:
 - 2.1. Mating force: 5-20Nf;
 - 2.2. Unmating force: 6-20Nf;
 - 2.3. Durability: 3000 Cycles;
3. Electrical:
 - 3.1. Current Rating: 3A Max.;
 - 3.2. Voltage Rating: 20V Max.;
 - 3.3. Dielectric Withstanding voltage: 100Vac;
 - 3.4. Contact resistance: 40m Ohms Max.;
 - 3.5. Insulation Resistance: 100M Ohms Min.;
4. Environmental:
 - 4.1. Operating temperature: -40° C ~ +85° C;
 - 4.2. Salt Spray Test: 24H Min. (No oxidation or rust);
 - 4.3. Wetting Temperature: 265 ± 5° C, 5 ± 0.5s



A5	CC1	B5	CC2
A9	VBUS	B9	VBUS
A12	GND	B12	GND
PIN	SIGNAL	PIN	SIGNAL



RECOMMENDED P. C. B. LAYOUT
TOLERANCE UNSPECIFIED ±0.05mm

NO.	PART NAME	Q' TY	MATERIAL	FINISH
3	Shell	1	SUS201 T=0.30mm	Ni
2	Housing	1	LCP	UL 94 V-0
1	Contact	1	C5191 T=0.20mm	Au

UNLESS OTHERWISE SPECIFIED TOLERANCES

DECIMALS: X ±0.30 X.X ±0.20 X.XX ±0.10

ANGLES: X ±2° X.X ±1°

TITLE: TYPE C 6PIN 板上四脚插板 6.8mm

DWN xiong PART NO. MC-301D

CHKD lee SCALE: 1:1 UNIT: mm

APVD wang SIZE: A4 SHEET: 1 OF 1 REV: A4

CUSTOMER COPY

东莞市汉博电子科技有限公司
DONGGUAN HANBO TECHNOLOGY CO., LTD