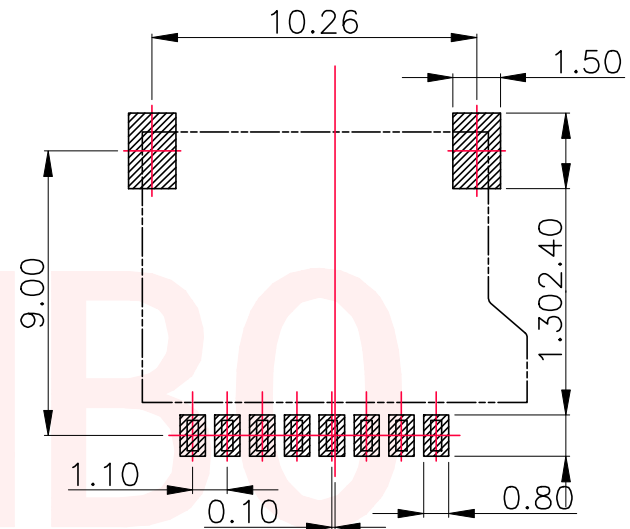
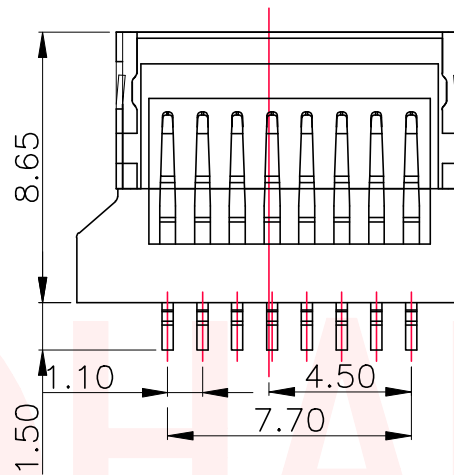
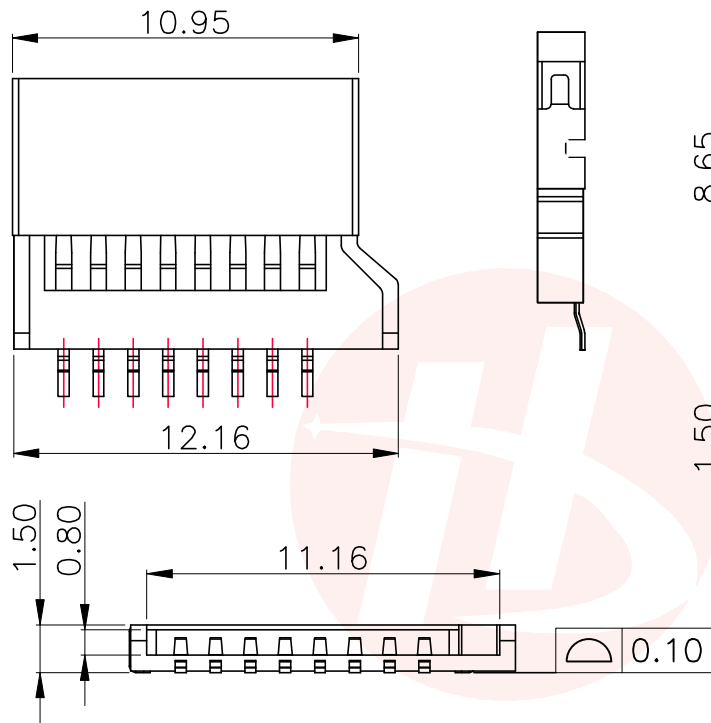




REV.	ECN NO OR DESCRIPTION	REVISED	DATE



RECOMMENDED PCB LAYOUT  
(Without Post)

PIN ASSIGNMENT	
NAME	TYPE
P1	DAT2
P2	CD/DAT3
P3	CMD
P4	V <sub>DD</sub>
P5	CLK
P6	V <sub>SS</sub>
P7	DAT0
P8	DAT1
P9	GND
P10	GND
P11	POL
P12	DET

**SPECIFICATION**

- 1.MATERIAL**  
HOUSING: HI-TEMP PLASTIC UL 94V-0; BLACK  
CONTACT: COPPER ALLOY  
SHELL: STAINLESS STEEL
- 2.ELECTRICAL CHARACTERISTICS**  
CONTACT CURRENT RATING: 0.5 AMPERES.  
DIELECTRIC WITHSTANDING VOLTAGE: AC500V R.M.S.  
INSULATION RESISTANCE: 500 MΩ MIN.  
CONTACT RESISTANCE: 40 MΩ MAX.
- 3.ENVIRONMENTAL**  
OPERATING TEMPERATURE: -25°C~+90°C
- 4.ENVIRONMENTAL**  
MATING CYCLES: 3000 INSERTIONS
- 5.MECHANICAL CHARACTERISTICS**  
CARD PUSH INSERTION/OUT FORCE: 0.7~1.20KGF  
CONTACT SEPARATION FORCE: 0.20KGF MIN.

3	SHELL	1	STAINLESS STEEL	Ni: 50u"Min.Overall Au: 1u"	t=0.15
2	CONTACT	1	COPPER ALLOY	Ni: 50u"Min.Overall Au: 1u"	t=0.15
1	HOUSING	1	THERMOPLASTIC	UL94 V-0, COLOR:BLACK	
ITEM	NAME	Q'TY	MATERIAL	FINISH	REMARK
UNLESS OTHERWISE SPECIFIED TOLERANCES			东莞市汉博电子科技有限公司 DONGGUAN HANBO TECHNOLOGY CO., LTD		
DECIMALS:		ANGLES:		TITLE	
X	:±0.30	X	:±2°	T-FLASH 抽屉式 H=1.5 无柱	
X.X	:±0.20	X.X	:±1°	DWN	xiong PART NO. TF-025
X.XX	:±0.10			CHKD	lee SCALE:1:1 UNIT: mm
				APVD	wang SIZE: A4 SHEET:10F 1
					REV: A4
CUSTOMER COPY					