

### 产品名称 Product name

- ▶ 2.54PH H2.5 2\*Pin 90度
- ▶ PC3.0 PA6.0 PB6.9
- ▶ L13.8/18.8 弯凹面

### 产品应用场景 Product application scenario

- ▶ 电子通讯/数码产品/家用电器
- ▶ 外围设备/汽车/医疗设备等.
- ▶ Electronic communication/digital products/household appliance peripherals/AuTomobile/medical equipment, etc

排针系列™  
Needle arrangement series™

## 产品参数/Product parameters

额定电流 (Rated current): 1.5A AC/DC

盐雾实验 (Life Test): 24 hours

接触电阻 (Contact Resistance): 20mΩ

绝缘电阻 (Insulation Resistance): 1000MΩ min.

耐电压 (Withstand voltage): AC 500V

工作温度 (Operating Temperature): -40° C to 105°

防火等级 (Fire rating): Polyester (UL94V-0)

触点电镀 (Dielectric Strength): Gold Flash

耐高温范围/时长 (High temperature resistance range/duration): 260° C for 5seconds

包装方式 (Packaging method): 袋装

## 材质/MATERIALS:

No.	名称/NAME	材料/MATERIAL	表面处理/颜色 Surfacetreatment/color
①	端子/Terminal	Brass/C2680	镀金 gold-plating
②	塑胶/plastic cement	PBT/PA6T	黑色 Black

## 产品PIN位示意图/Schematic diagram of product PIN

No. of	DIM. A	DIM. B	No. of	DIM. A	DIM. B	No. of	DIM. A	DIM. B	No. of	DIM. A	DIM. B
2*1P	0.00	2.54	2*11P	25.40	27.94	2*21P	50.80	53.34	2*31P	76.20	78.74
2*2P	2.54	5.08	2*12P	27.94	30.48	2*22P	53.34	55.88	2*32P	78.74	81.28
2*3P	5.08	7.62	2*13P	30.48	33.02	2*23P	55.88	58.42	2*33P	81.28	83.82
2*4P	7.62	10.16	2*14P	33.02	35.56	2*24P	58.42	60.96	2*34P	83.82	86.36
2*5P	10.16	12.70	2*15P	35.56	38.10	2*25P	60.96	63.50	2*35P	86.36	88.90
2*6P	12.70	15.24	2*16P	38.10	40.64	2*26P	63.50	66.04	2*36P	88.90	91.44
2*7P	15.24	17.78	2*17P	40.64	43.18	2*27P	66.04	68.58	2*37P	91.44	93.98
2*8P	17.78	20.32	2*18P	43.18	45.72	2*28P	68.58	71.12	2*38P	93.98	96.52
2*9P	20.32	22.86	2*19P	45.72	48.26	2*29P	71.12	73.66	2*39P	96.52	99.06
2*10P	22.86	25.40	2*20P	48.26	50.80	2*30P	73.66	76.20	2*40P	99.06	101.60

## 产品编号/Product No



- 1: Series No:
- PH-Pin Header
- 2: 焊接板类型/Welding Board Type:  
6-90度双排贴/ SMT Type with Locating Peg
- 3: 产品间距/Product spacing  
127-1.27mm  
200-2.00mm  
254-2.54mm
- 4: PIN位/PIN bit  
2\*1P-21P

- 5: 颜色/Color:  
B-Black
- 6: 材料/Material  
1-PBT 2-PA6T
- 7: 触点电镀/Contact Plating  
GO-Gold Flash
- 8: 包装方式/Packgin Method  
P-袋装/PE B-盒装/BOX  
T-管装/Tubing W-卷带/winding
- 9: Serial Code

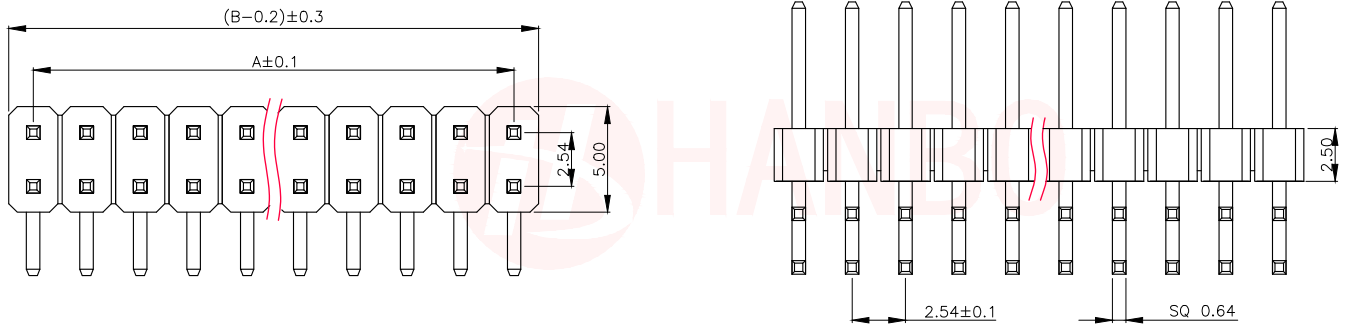
连接器领域专家

让世界连接更清晰

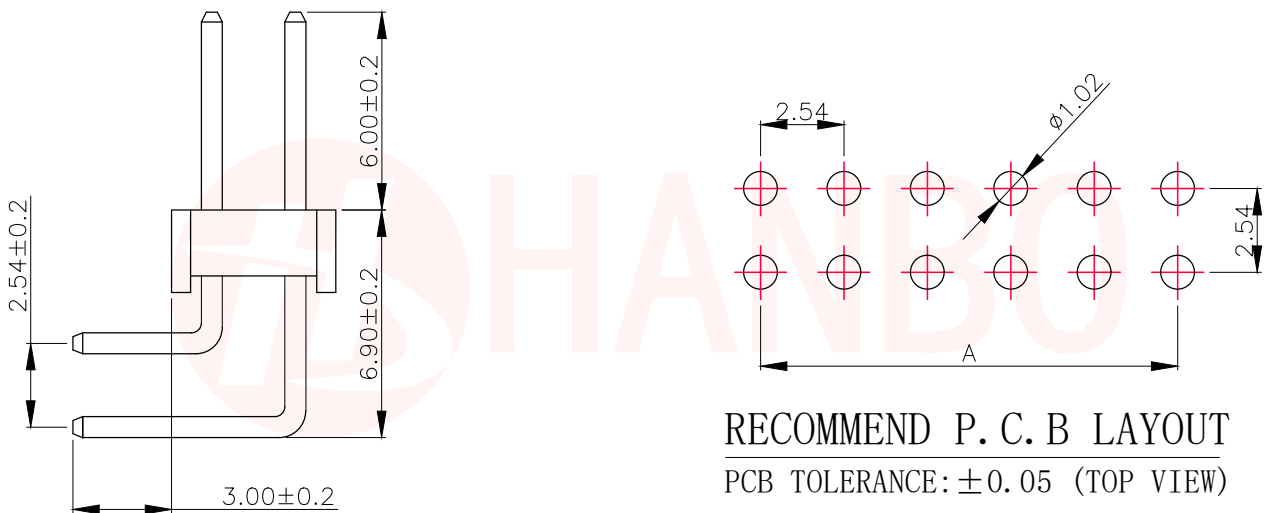
产品订购号示意图/Schematic diagram of product order number

Schematic diagram of product order number: HB-PH6-25421PB2G0P

产品外形尺寸图/Outline dimension drawing of product

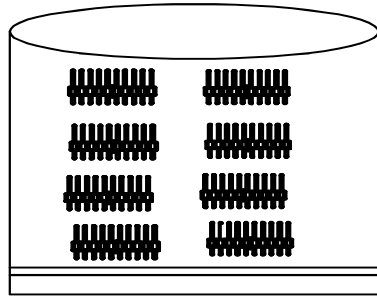
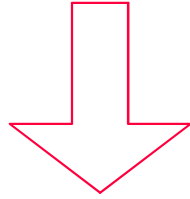


线路图/Circuit diagram

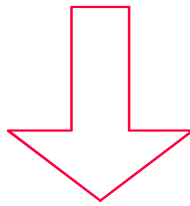




产品



3#胶袋: 16\*18cm



纸箱

插针系列  
series  
head's arrangement  
TM

连接器领域专家  
让世界连接更清晰