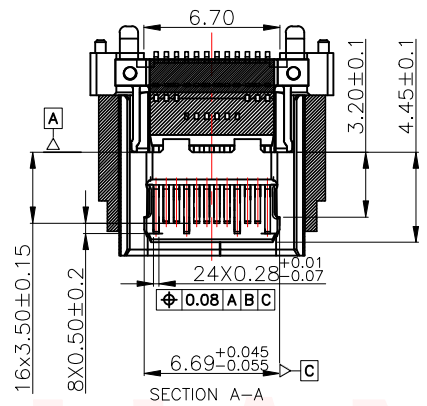
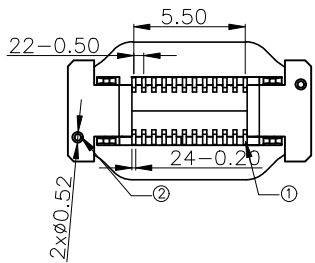
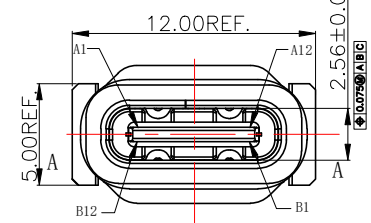


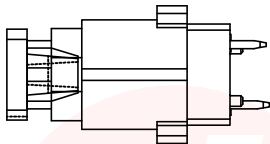
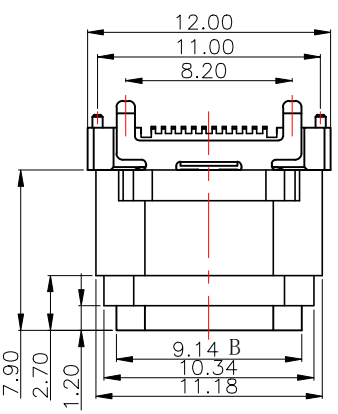


REV.	ECN NO OR DESCRIPTION	REVISED	DATE

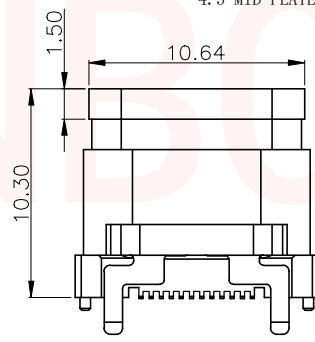
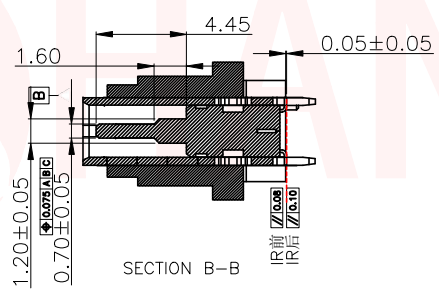
A



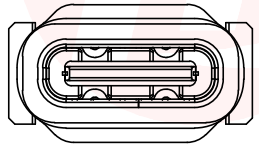
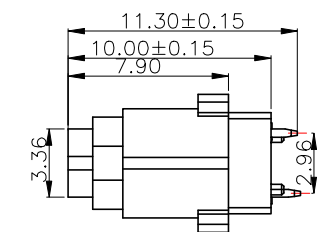
B



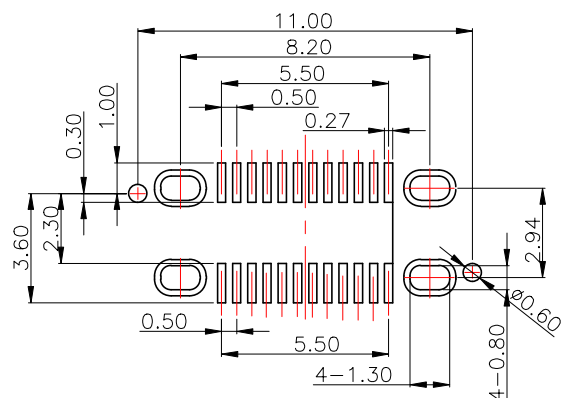
加CAP示意图



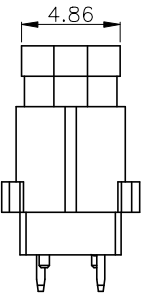
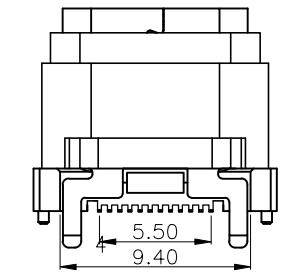
C



加防水圈示意图



D



RECOMMENDED P.C.B. LAYOUT (T:1.00mm)
TOLERANCE UNSPECIFIED ±0.05mm

NOTE:

- MATERIAL:
 - INSULATOR: HIGH TEMPERATURE PLASTIC UL 94 V-0; Black Color
 - CONTACT: C7025 (T=0.12mm)
 - SHELL: STAINLESS STEEL (T=0.40mm)
 - MID PLATE: STAINLESS STEEL (T=0.15mm)
- ELECTRICAL CHARACTERISTICS:
 - CONTACT RESISTANCE: 40mΩ Max FOR INITIAL. 10mΩ CHANGE AFTER TEST. MEASURE AT 20mV, 100mA.
 - CONTACT CURRENT RATING: 5A FOR COLLECTIVELY POWER SUPPLY PIN (PIN1, A4, A9, A12, B1, B4, B9, B12); 1.25A FOR VCONN PIN; 0.25A FOR OTHER SIGNAL PIN.
 - DIELECTRIC WITHSTANDING VOLTAGE: 100V AC R. M. S.
 - INSULATION RESISTANCE 100MΩ Min
 - OPERATING TEMPERATURE: -40° C ~ 85° C
- MECHANICAL CHARACTERISTICS:
 - MATING FORCE: 5~20 N.
 - UNMATED FORCE: 8~20N INITIAL TEST; 6~20N DURABILITY AFTER TEST
 - DURABILITY: 10,000 CYCLES
- PLATING
 - TERMINAL CONTACT: Au 3u'' PLATING ON CONTACT AREA; TIN 50u'' Min TING ON SOLDER TAIL, NI 50u'' Min UNDERPLATING OVERALL
 - SHELL: 50u'' Min. NICKEL ALL OVER,
 - MID PLATE: CLEAN

USB TYPE-C FULL-FEATURED RECEPTACLE INTERFACE PIN ASSIGNMENTS

PIN	Signal Name	Description	PIN	Signal Name	Description
A1	GND	Ground return	B12	GND	Ground return
A4	Vbus	Bus Power	B9	Vbus	Bus Power
A5	CC1	Configuration Channel	B8	SBU2	Sideband Use (SBU)
A6	Dp1	Positive half of the USB 2.0 differential pair-Position 1	B7	Dn2	Negative half of the USB 2.0 differential pair-Position 2
A7	Dn1	Negative half of the USB 2.0 differential pair-Position 1	B6	Dp2	Positive half of the USB 2.0 differential pair-Position 2
A8	SBU1	Sideband Use (SBU)	B5	CC2	Configuration Channel
A9	Vbus	Bus Power	B4	Vbus	Bus Power
A12	GND	Ground return	B1	GND	Ground return

5	CAP	LCP 6007AS UL94V-0	BLACK	1PCS	48H	Reel
4	SHELL	SUS304 T=0.40mm	Ni 50u'' Min Plated	1PCS		
3	LATCH	SUS301-H T=0.15mm	NO PLATED	1PCS		
2	CONTACT	C7025 T=0.12mm	Au 3u'' PLATING ON CONTACT AREA; TIN 50u'' Min TING ON SOLDER TAIL; NI 50u'' Min UNDERPLATING OVERALL	1SET		
1	HOUSING	LCP UL94V-0	LCP BLACK UL94V-0	1PCS		
NO.	DESCRIPTION	MATERIAL	REMARKS	QTY	盐雾	PACKAGING

UNLESS OTHERWISE SPECIFIED TOLERANCES

DECIMALS: ANGLES:
 X :±0.30 X :±2°
 X.X :±0.20 X.X :±1°
 X.XX :±0.10

东莞市汉博电子科技有限公司
DONGGUAN HANBO TECHNOLOGY CO., LTD

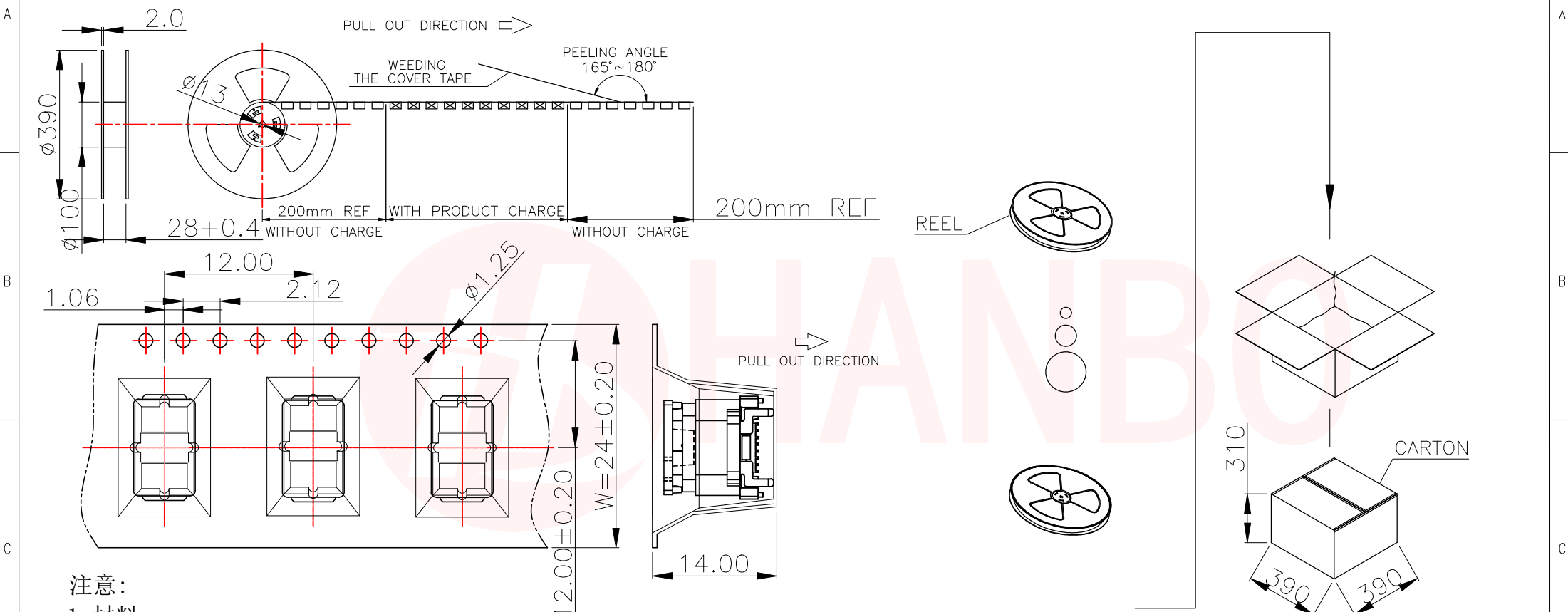
TITLE	USB TYPE C 24-PIN 直立式加宽10.00脚长1.3 防水IPX7
DWN	xiong
CHKD	lee
APVD	wang

PART NO. MC-245FLS-H100
 SCALE: 1:1 UNIT: mm
 SIZE: A4 SHEET: 10F 1 REV: A4

CUSTOMER COPY



REV.	ECN NO OR DESCRIPTION	REVISED	DATE



- 注意:
1. 材料:
 纸箱:纤维板, 瓦楞, 双层壁。
 胶带:聚苯乙烯, 耐热温度:120℃, 白。
 卷筒:聚苯乙烯, 耐热温度:70℃, 蓝色。
 包装:聚乙烯, 耐热温度:100℃。
 2. 剥离强度:0.1 ~ 1.3 N(10 ~ 130克)
 3. 脱皮速度:300mm /min。
 4. 每个袋子都应包括干燥剂*2。
 5. 外箱上贴号物料标签及RHOS标签
 6. 同一产品只能装同一纸箱, 不允其它产品;

NOTE:
1. QUANTITY:300 PCS/RELL,3000PCS/CARTON.

UNLESS OTHERWISE SPECIFIED TOLERANCES		东莞市汉博电子科技有限公司 DONGGUAN HANBO TECHNOLOGY CO., LTD			
DECIMALS:	ANGLES:	TITLE	USB TYPE C 24-PIN 直立式加宽10.00脚长1.3 防水IPX7		
X :±0.30	X :±2°	DWN	xiong	PART NO. MC-245FLS-H100	
X.X :±0.20	X.X :±1°	CHKD	lee	SCALE:1:1	UNIT: mm
X.XX :±0.10		APVD	wang	SIZE: A4	SHEET:10F 1
		REV: A4			
CUSTOMER COPY					