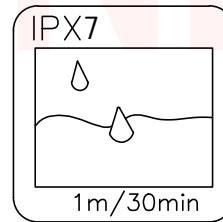
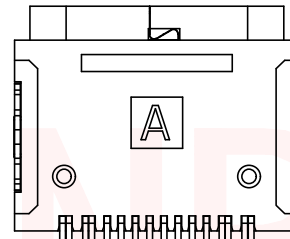
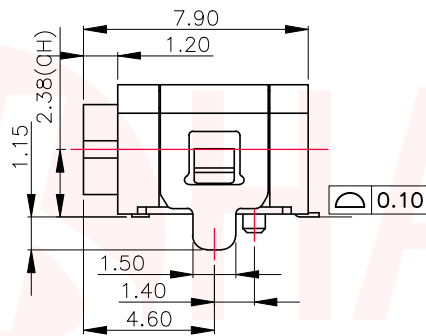
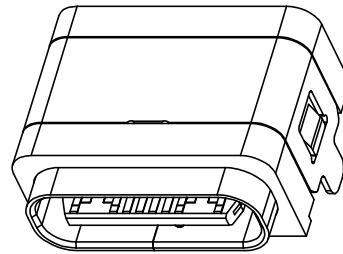
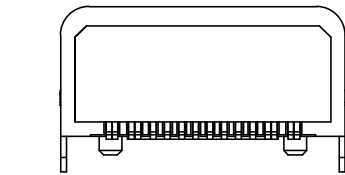
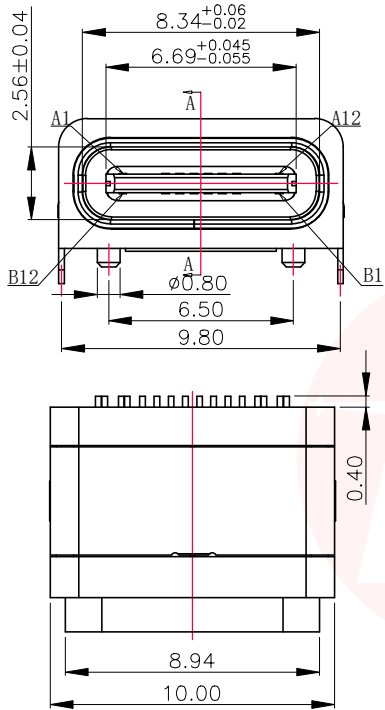




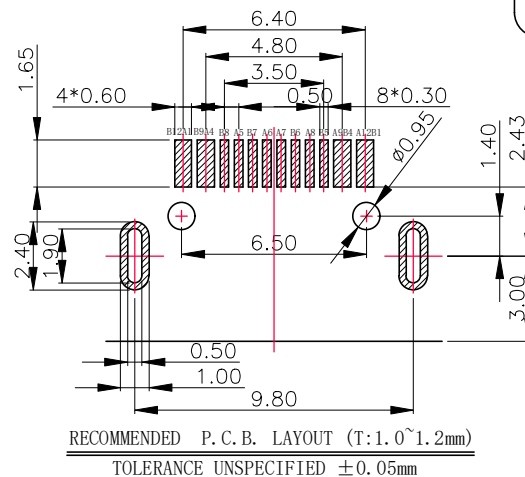
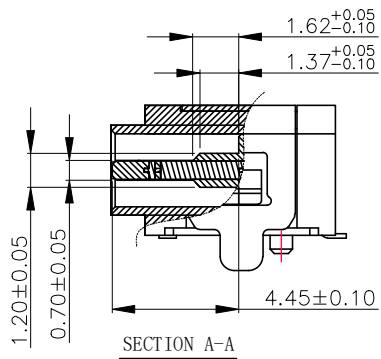
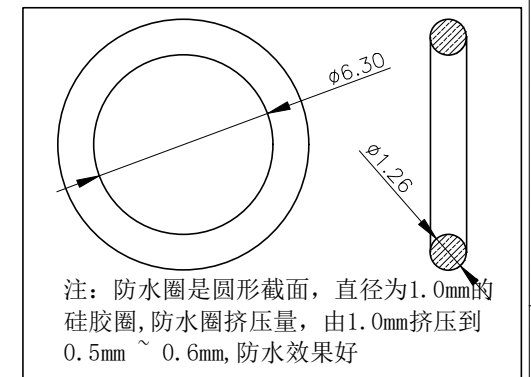
REV.	ECN NO OR DESCRIPTION	REVISED	DATE

SPECIFICATION:

1. Material:
 - HOUSING&MOLDING: HIGH TEMPERATURE RESISTANT PLASTIC, UL94 V-0
 - CONTACTS: COPPER ALLOY T=0.15mm
 - IDLE CLIP: SUS301-1/2H, T=0.15mm
 - SHELL-1: SUS304, T=0.30mm
 - SHELL-2: SUS304, T=0.20mm
2. Mechanical:
 - 2.1. Mating force: 0.5~2.0kgf.
 - 2.2. UNMATING FORCE: 0.8~2.0kgf. 0.6~2.0kgf AFTER DURABILITY TEST;
 - 2.3. Durability: 10000 Cycles;
3. Electrical:
 - 3.1. Current Rating: 3A Max.;
 - 3.2. Voltage Rating: 20V Max.;
 - 3.3. Dielectric Withstanding voltage: 100VAC;
 - 3.4. Contact resistance: 40m Ohms Max.;
 - 3.5. Insulation Resistance: 100M Ohms Min.;
4. Environmental:
 - 4.1. Operating temperature: -40°C~+85°C;
 - 4.2. Wetting Temperature: 265±5°C, 5±0.5s



PIN DEFINE TABLE			
PIN	SIGNAL	PIN	SIGNAL
A12	GND	B1	GND
A11		B2	
A10		B3	
A9	VBUS	B4	VBUS
A8	SBU1	B5	CC2
A7	D-	B6	D+
A6	D+	B7	D-
A5	CC1	B8	SBU2
A4	VBUS	B9	VBUS
A3		B10	
A2		B11	
A1	GND	B12	GND



UNLESS OTHERWISE SPECIFIED TOLERANCES

DECIMALS:	ANGLES:
X : ±0.30	X : ±2°
X.X : ±0.20	X.X : ±1°
X.XX : ±0.10	

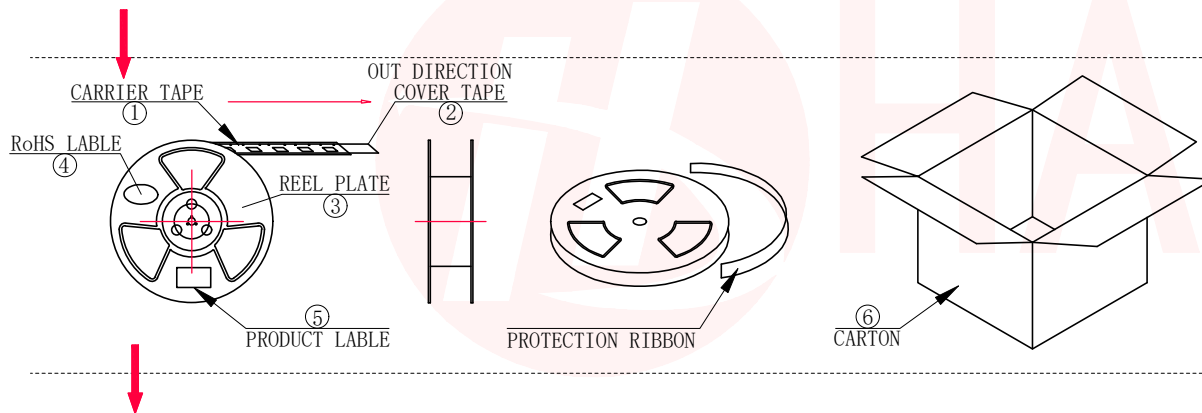
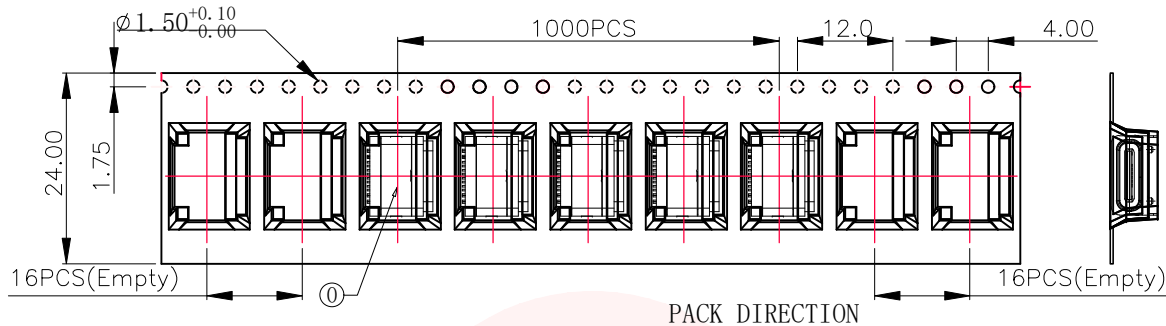


东莞市汉博电子科技有限公司
DONGGUAN HANBO TECHNOLOGY CO., LTD

TITLE	TYPE-C 16PIN 防水母座板上型带塑胶柱			
DWN	xiong	PART NO. MC-107FLD		
CHKD	lee	SCALE: 1:1	UNIT: mm	
APVD	wang	SIZE: A4	SHEET: 1OF 1	REV: A4
CUSTOMER COPY				



REV.	ECN NO OR DESCRIPTION	REVISED	DATE



说明:

1. 每卷前后各空16PCS, 尾部用美纹胶纸封住;
2. 将产品放满盘后, 再卷一圈保护带, 用美纹胶纸将其封住, 并贴上1Pcs物料标签;
3. 每10卷盘一叠共10000Pcs并装入1个外箱内;
4. 在搬运过程中要轻拿轻放;
5. 在运输中不可堆放过多(1.8M最高), 不可重压;
6. 跌落测试条件:
成品箱从1.2米高度自由落体(一角三棱六面):
a. 产品不可跑出下带凹槽;
b. 产品不可有摔伤, 变形;
c. 内包装材料不可严重破损.

NO.	NAME	SPEC	Q' TY
①	TYPE C RECEPTACLE		10000PCS/CARTON
①	CARRIER TAPE	W=24mm, T=0.35mm	1000PCS/PLATE
②	COVER TAPE	W=21.5mm	10PLATES/CARTON
③	REEL PLATE	330*100*24.4mm	10PCS/CARTON
④	RoHS LABEL		10PCS/CARTON
⑤	PRODUCT LABELER		10PCS/CARTON
⑥	CARTON	350*340*310mm	1PCS/PACKAGE

UNLESS OTHERWISE SPECIFIED TOLERANCES



东莞市汉博电子科技有限公司
DONGGUAN HANBO TECHNOLOGY CO., LTD

DECIMALS: ANGLES:
X :±0.30 X :±2°
X.X :±0.20 X.X :±1°
X.XX :±0.10

TITLE	TYPE-C 16PIN 防水母座板上型-包装示意图			
DWN	xiong	PART NO.	MC-107FLD	
CHKD	lee	SCALE:1:1	UNIT: mm	
APVD	wang	SIZE: A4	SHEET:1OF 1	REV: A4

CUSTOMER COPY

