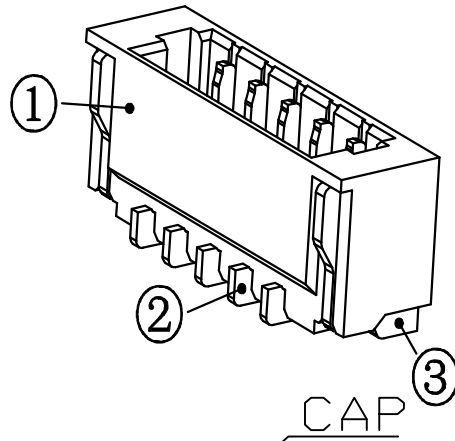




REV.	ECN NO OR DESCRIPTION	REVISED	DATE

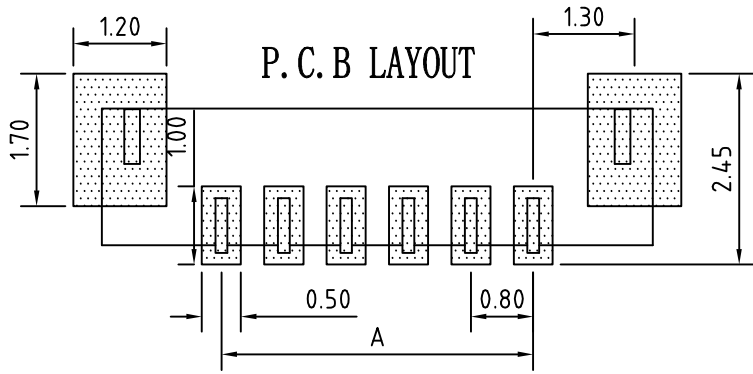
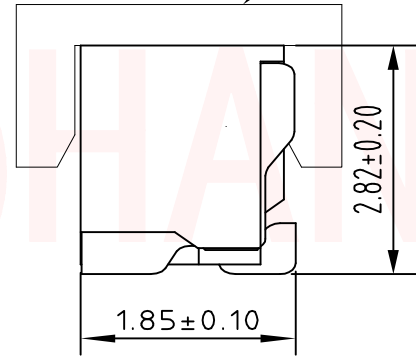
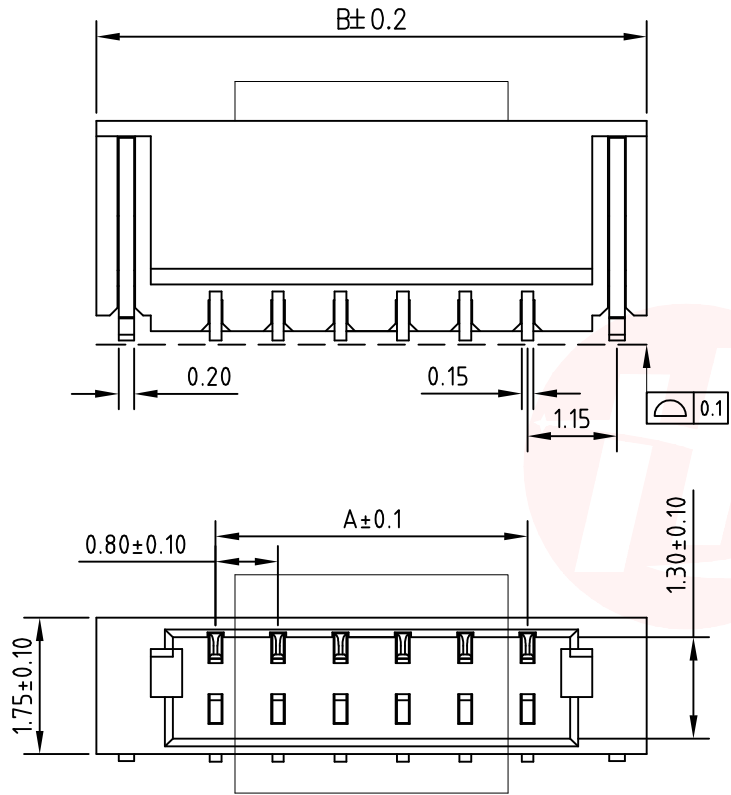


SPECIFICATIONS

- 1、Current Rating: 1A AC, DC
- 2、Voltage Rating: 30V AC, DC
- 3、Temperatuer Range: -25°C~+85°C
- 4、Contact Resistance: 30mΩ Max
- 5、Insulation Resistance: 100MΩ Min
- 6、Withstanding Voltang: 200V AC/minute
- 7、Material:Wafer LCP,UL94V-0
PIN Brass Tin-plated
Solder tad Phosphoric bronzeTin-plated

TABLE:

CSG PART NO.	Dimension mm	
	A	B
WAFER-SUH08-LT-2A	0.80	3.85
WAFER-SUH08-LT-3A	1.60	4.65
WAFER-SUH08-LT-4A	2.40	5.45
WAFER-SUH08-LT-5A	3.20	6.25
WAFER-SUH08-LT-6A	4.00	7.05
WAFER-SUH08-LT-7A	4.80	7.85
WAFER-SUH08-LT-8A	5.60	8.65
WAFER-SUH08-LT-9A	6.40	9.45
WAFER-SUH08-LT-10A	7.20	10.25
WAFER-SUH08-LT-11A	8.00	11.05
WAFER-SUH08-LT-12A	8.80	11.85
WAFER-SUH08-LT-13A	9.60	12.65
WAFER-SUH08-LT-14A	10.40	13.45
WAFER-SUH08-LT-15A	11.20	14.25
WAFER-SUH08-LT-16A	12.00	15.05



UNLESS OTHERWISE SPECIFIED TOLERANCES		东莞市汉博电子科技有限公司 DONGGUAN HANBO TECHNOLOGY CO., LTD			
DECIMALS:	ANGLES:	TITLE WAFER SUH 0.8 立贴 SMT TYPE			
X :±0.20	X :±2°	DWN	xiong	PART NO. WAFER-SUH08-LT-NA	
X.X :±0.10	X.X :±1°	CHKD	lee	SCALE:1:1	UNIT: mm
X.XX :±0.05		APVD	wang	SIZE: A4	SHEET:10F 1
CUSTOMER COPY					