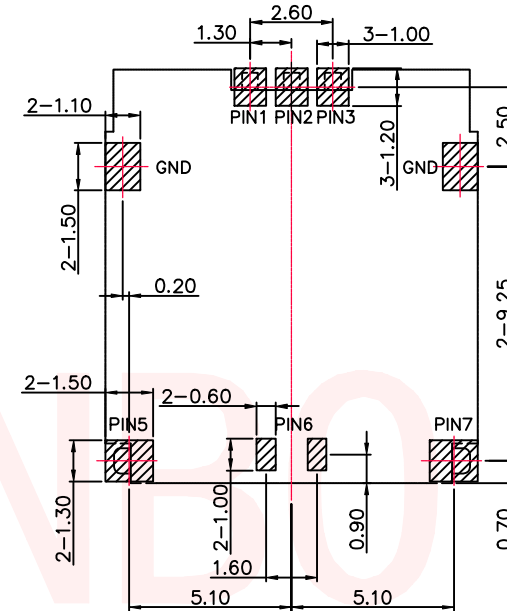
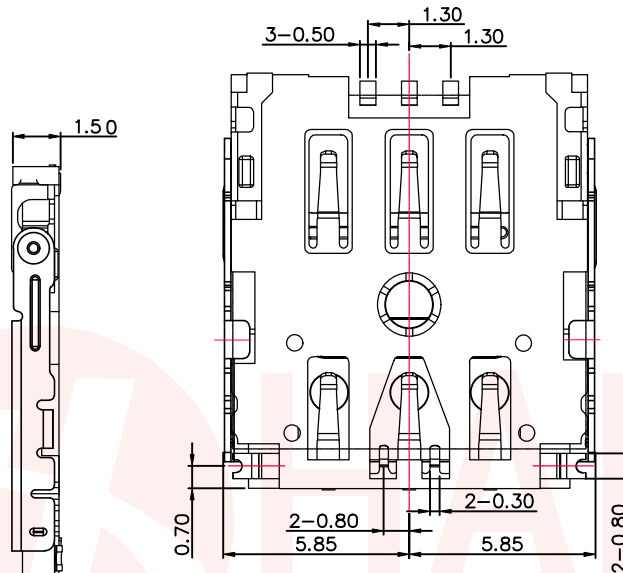
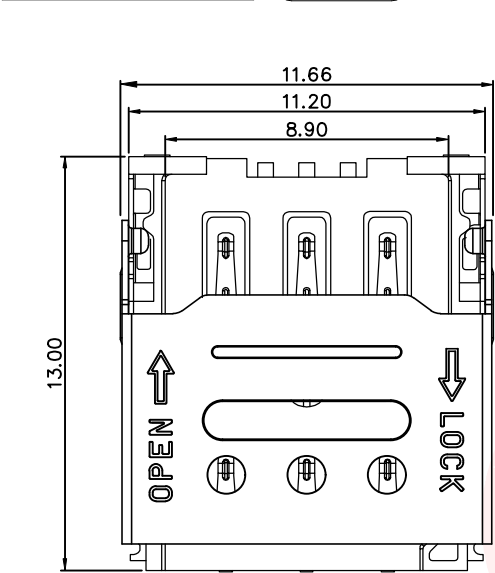
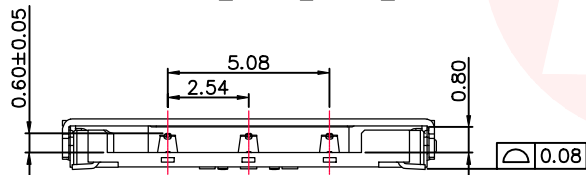




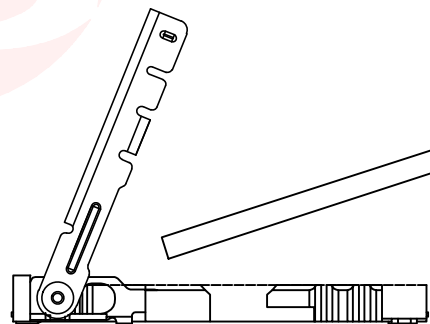
5	6
REV.	ECN NO OR DESCRIPTION
REVISED	DATE



PCB LAYOUT (TOP VIEW)  
TOLERANCE: ±0.05



SIM CARD PIN ON	NAME
PIN_1	VCC
PIN_2	RST
PIN_3	CLK
PIN_5	GND
PIN_6	VPP
PIN_7	I/O



STEP 1 INSERT NANO SIM CARD



STEP 2 PUSH THE SHELL

NOTES:

1. MATERIAL:

- 1-1 HOUSING: THERMOPLASTIC, UL94 V-0 . COLOR;BLACK
- 1-2 SHELL; STAINLESS STEEL T=0.20mm
- 1-3 CONTACT: COPPER ALLOY T=0.15mm

2. FINISH:

- 2-1 CONTACT: 1u" AU MIN. ON CONTACT AREA  
GOLD FLASH ON SOLD AREA.  
50u" NI MIN. UNDERPLATING OVER ALL

UNLESS OTHERWISE SPECIFIED TOLERANCES



东莞市汉博电子科技有限公司  
DONGGUAN HANBO TECHNOLOGY CO., LTD

DECIMALS:	ANGLES:
X : ±0.30	X : ±2°
X.X : ±0.20	X.X : ±1°
X.XX : ±0.10	

TITLE	1.5 NANO SIM CARD CONNECTOR			
DWN	xiong	PART NO.	SNO-1490	
CHKD	lee	SCALE:1:1	UNIT:	mm
APVD	wang	SIZE: A4	SHEET:1OF 1	REV: A4

CUSTOMER COPY