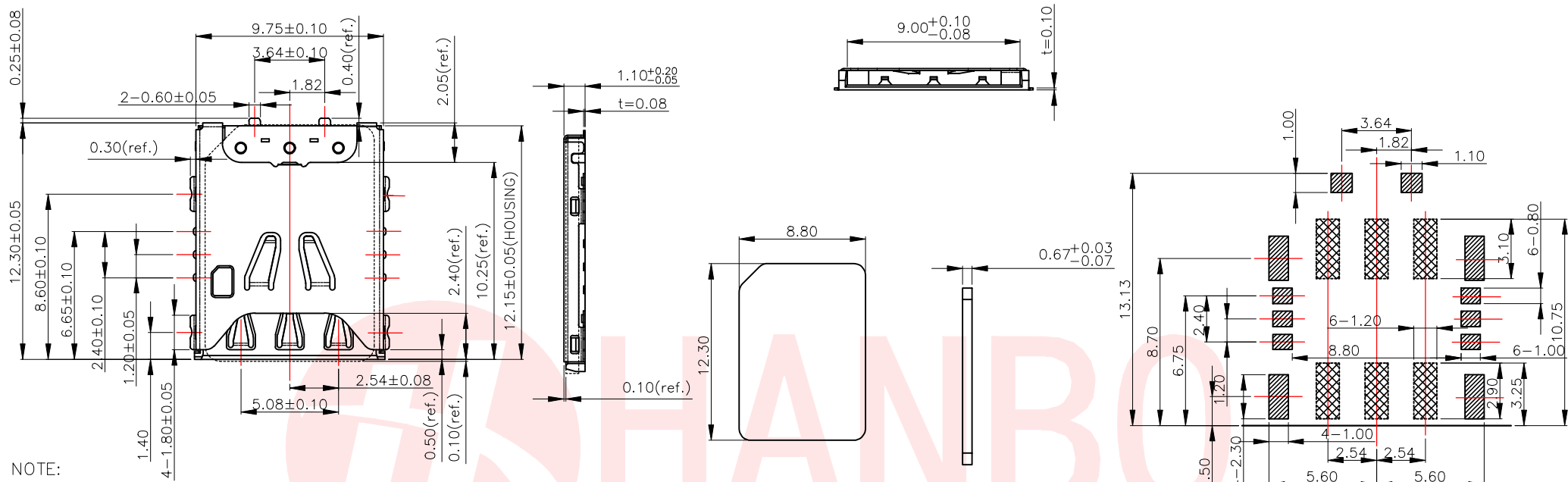


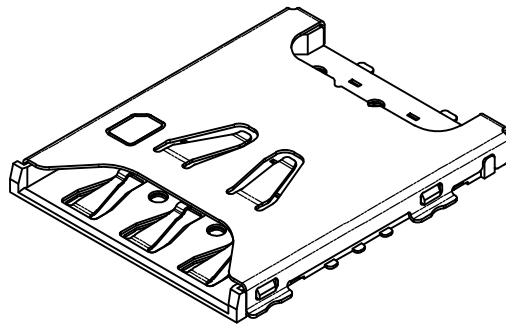


REV.	ECN NO OR DESCRIPTION	REVISED	DATE



NOTE:

1. Material:
 - 1-1 Housing: High Temperature Thermoplastic, Color Black UL 94V-0
 - 1-2 Contact: Phosphor Bronze (T=0.08±0.01mm)
 - 1-3 Cover: Stainless Steel T=0.10±0.03mm
2. Plating:
 - 2-1 Contact terminal:
 - Contact area: Gold 1u" Min.
 - Solder area: Gold 0.8u" Min.
 - Underplating: Ni overall 50u" Min.
 - 2-2 Cover:
 - Underplating: Ni overall 50u" Min.
 - Solder area: Gold 0.8u" Min.
3. Specification:
 - 3-1. Current Rating : 0.5mA AC/DC max.
 - 3-2. Voltage Rating : 125V AC/DC
 - 3-3. Ambient Temperature Range : -20°C~+60°C
 - 3-4. Storage Temperature Range : -40°C~+70°C
 - 3-5. Ambient Humidity Range : 95% R.H. Max.
 - 3-6. Contact Resistance: 100m max.
 - 3-7. Insulation Resistance: 1000M min./500VDC



RECOMMENDED PCB LAYOUT

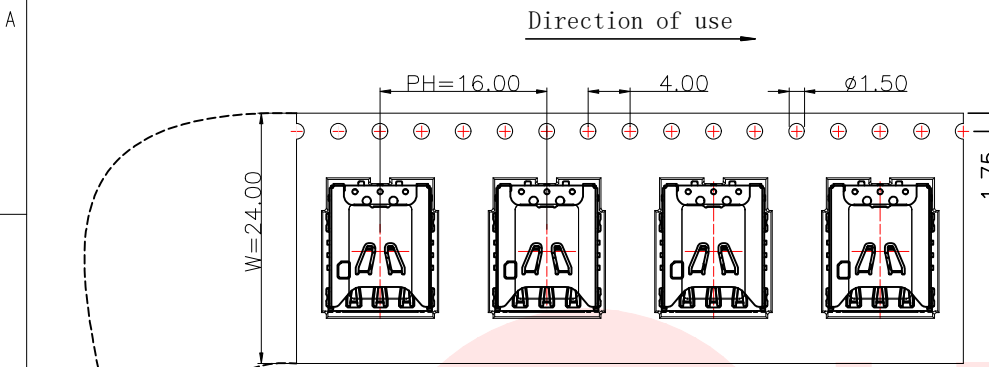
TOLERANCE: ±0.05

- Pad Area
- Via and Trace keepout Area
- PCB Edge

UNLESS OTHERWISE SPECIFIED TOLERANCES		东莞市汉博电子科技有限公司 DONGGUAN HANBO TECHNOLOGY CO., LTD			
DECIMALS:	ANGLES:	TITLE			
X : ±0.30	X : ±2°	DWN	xiong	PART NO. SNO-14300	
X.X : ±0.20	X.X : ±1°	CHKD	lee	SCALE: 1:1	UNIT: mm
X.XX : ±0.10		APVD	wang	SIZE: A4	SHEET: 10F 1
		REV: A4			
CUSTOMER COPY					

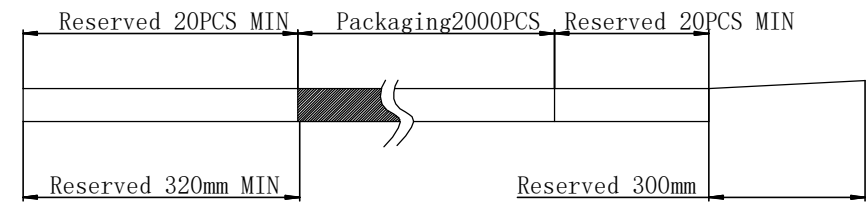


REV.	ECN NO OR DESCRIPTION	REVISED	DATE

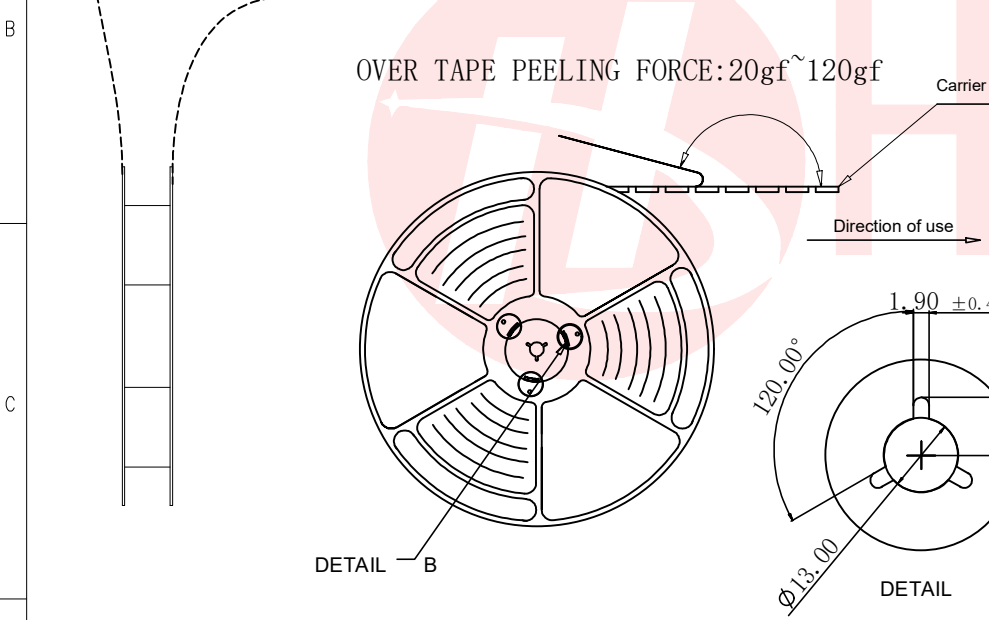


NOTES:

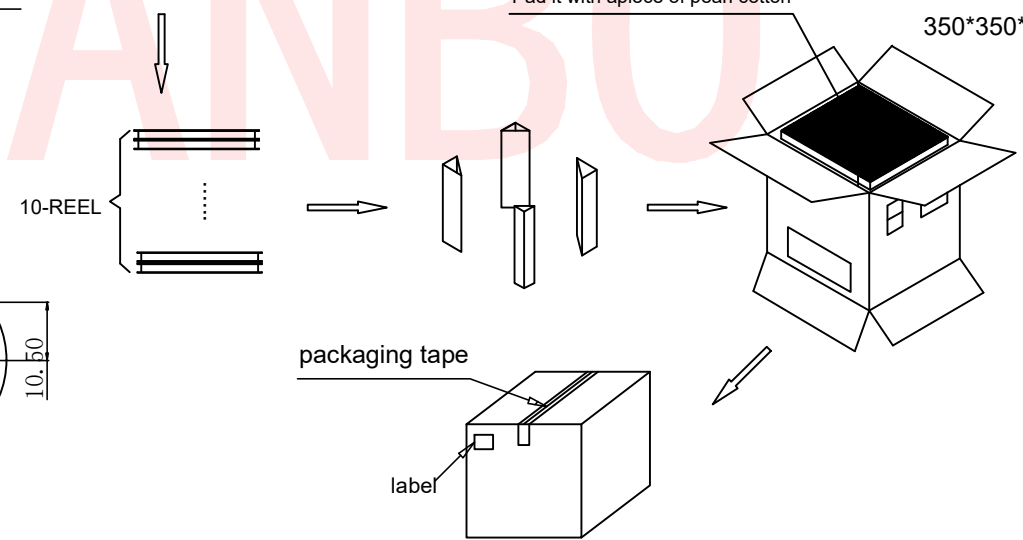
- 1、Packing quantity per plate: 2000PCS/Plate
- 2、Loading and packing method



3、Total packaging: 20000PCS/Box



The bottom and top of the carton Pad it with apiece of pearl cotton
BOX 350*350*340mm



Description	Quantity
Carrierband (Lucent, PET W=24 PH=16,T=0.3)	326.4m
Box (K=K,T=7.0,350*350*340)	1PCS
PE Bag (T=0.08mm, 730*760*730)	1PCS
Self-adhesive (W=21.30)	329.4m
Beam (K=K, T=7.0,95*95*290)	4PCS
Pearl Wool (340*340*18)	2PCS
REEL (BLUE, 13Inches*24mm, ø330)	10PCS
1.10H No-Push Nano-SIM Card<NS008-000>	20000PCS

UNLESS OTHERWISE SPECIFIED TOLERANCES		东莞市汉博电子科技有限公司 DONGGUAN HANBO TECHNOLOGY CO., LTD			
DECIMALS: X :±0.30 X.X :±0.20 X.XX :±0.10		ANGLES: X :±2° X.X :±1°		TITLE NANO SIM 卡座1.10H NO-PUSH SMT	
DWN	xiong	PART NO. SNO-14300			
CHKD	lee	SCALE: 1:1	UNIT: mm		
APVD	wang	SIZE: A4	SHEET: 10F 1	REV: A4	
CUSTOMER COPY					